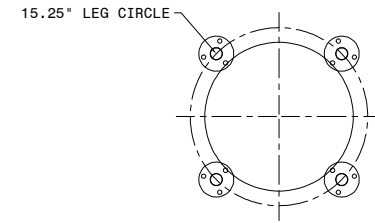
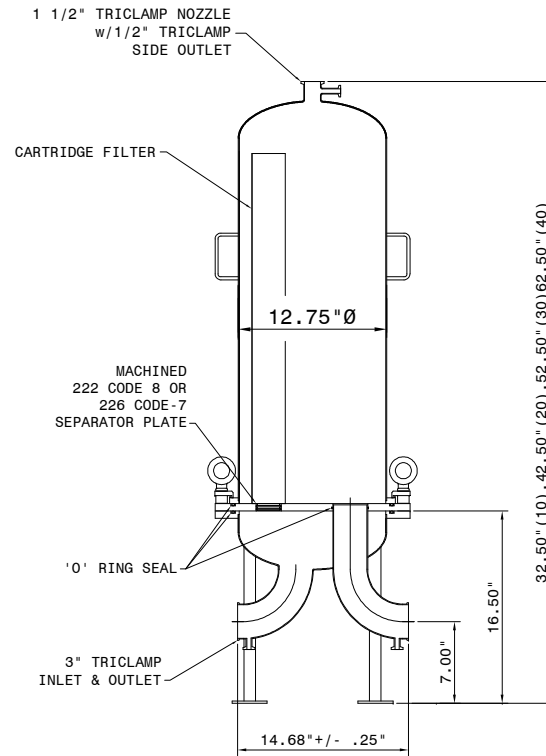
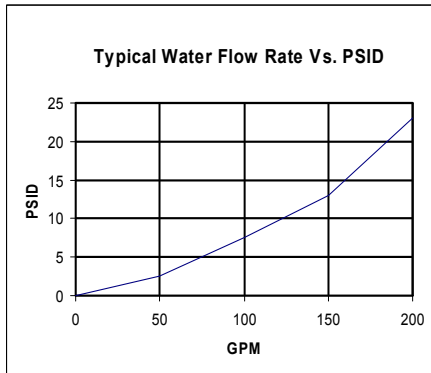
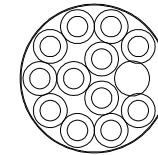


Sanitary Cartridge Filter Housing

12 Round T-Style



FOOT PAD LAYOUT



12 ROUND SANITARY T-STYLE LAYOUT
2.88" Ø CARTRIDGES

Part Number

Note: Dimensions are for reference only. Design drawings available upon request.

SAN	- 12T	-	-	- 2TC	-	-	EP
Sanitary	7 Round T-style	Element Length	Cartridge Connection	Inlet/Outlet Connection	Vent/Drain Connection	Gasket Material	Interior/Exterior Finish
		1 10"	7 226	2TC 2" TTriClamp	TC 1/2" Tri Clamp	E EPDM	EP Electropolished
		2 20"	8 222	3TC 3" TriClamp	V 1/4" Valve	V Viton	
		3 30"				S Silicon	
		4 40"					