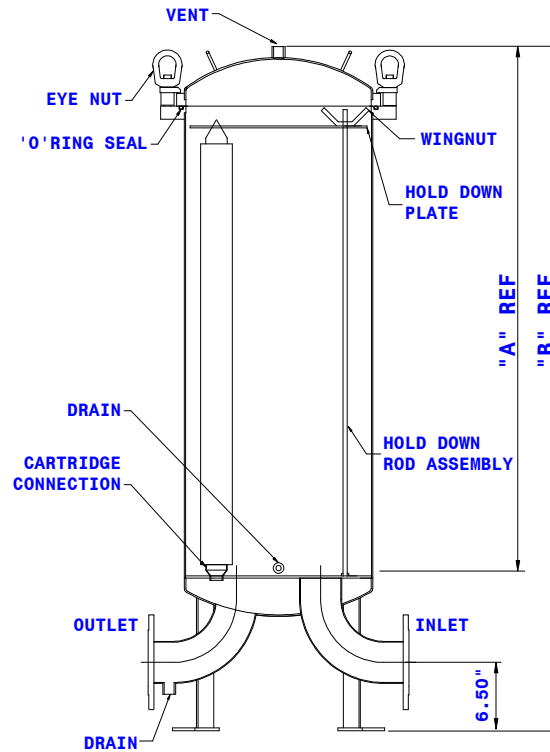


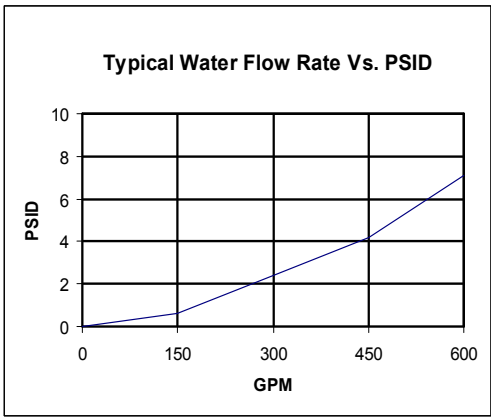
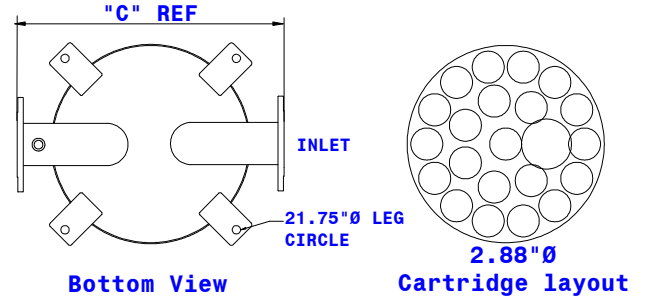
Industrial High Purity Cartridge Filter Housing



T-Style 21 Round (Top Open)



Element Length	A	B	C 4" I/O
10"	20.50"	35.75"	25.00"
20"	30.50"	45.75"	25.00"
30"	40.50"	55.75"	25.00"
40"	50.50"	65.75"	25.00"



Housing Part Number

IHP - 21TT
Industrial High Purity - **21 Round T-Style**

Note: Dimensions are for reference only. Design drawings available upon request.

Element Length	Cartridge Connection	Inlet/Outlet Connection	Vent/Drain Connection	Gasket Material	Interior/Exterior Finish
1 10"	1 DOE	3TC Tri Clamp	TC Tri Clamp	E EPDM	BBP Bead Blast
2 20"	2 Cup & Post	3F Flanged	NPT Female Threaded	V Viton	& Passivate
3 30"	7 226 8 222	4TC Tri Clamp		S Silicon	EP Electropolish
4 40"					