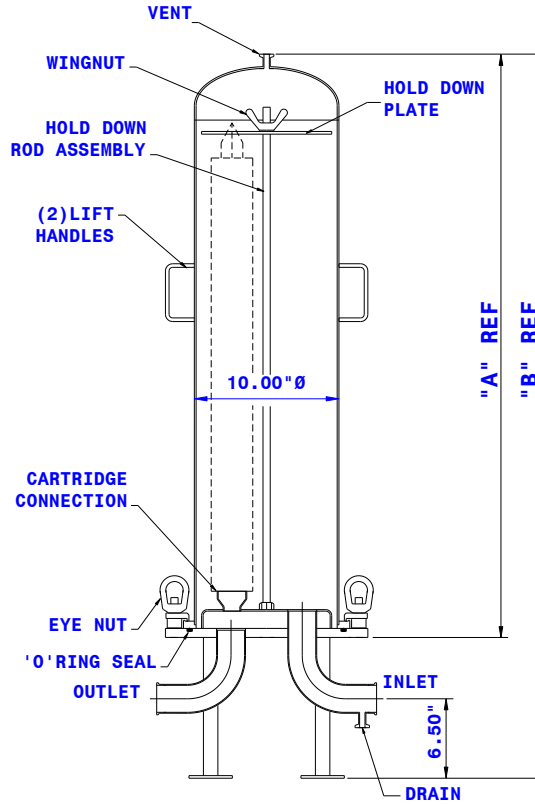


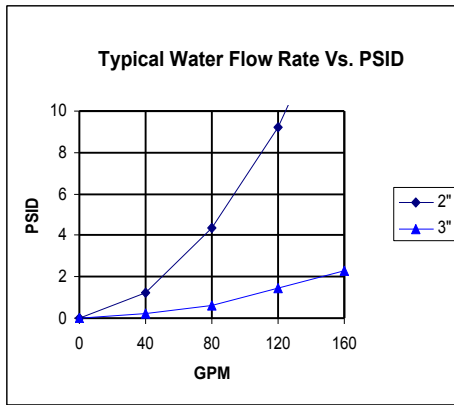
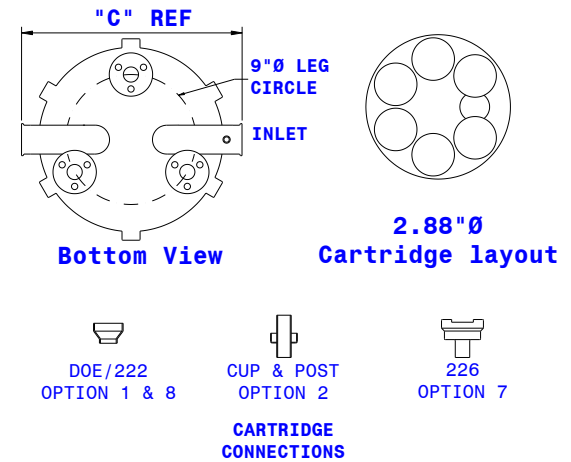
# Industrial High Purity Cartridge Filter Housing



## T- Style, 6 Round (Bottom Open)



Element Length	A	B	C 2" I/O	C 3" I/O
10"	19.50"	31.75"	15.13"	18.13"
20"	29.50"	41.75"	15.13"	18.13"
30"	39.50"	51.75"	15.13"	18.13"
40"	49.50"	61.75"	15.13"	18.13"



## Custom Housing Part Number

Note: Dimensions are for reference only. Design drawings available upon request.

IHP Industrial High Purity	- 6TB 6 Round T-style B Bottom Open	- Element Length	- Cartridge Connection	- Inlet/Outlet Connection	- 1/2 Vent/Drain Connection	- Gasket Material	- Interior/Exterior Finish
		1 10"	1 DOE	2" TC Tri Clamp	TC Tri Clamp	E EPDM	BBP Bead Blast
		2 20"	2 Cup & Post	2" F Flanged	NPT Female Threaded	V Viton	& Passivate
		3 30"	7 226	3" TC Tri Clamp		S Silicon	EP Electropolish
		4 40"	8 222	3" F Flanged			