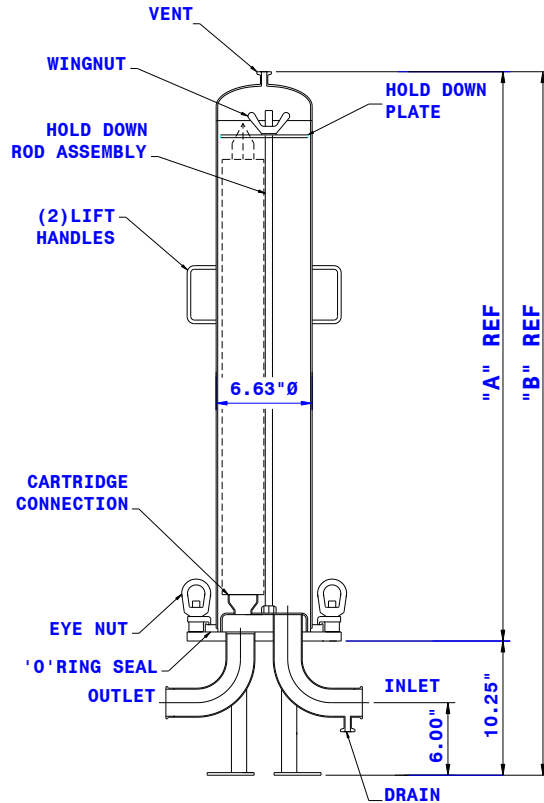


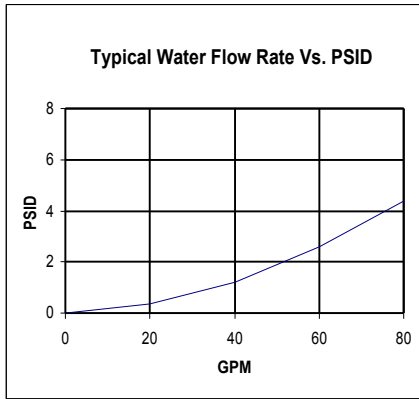
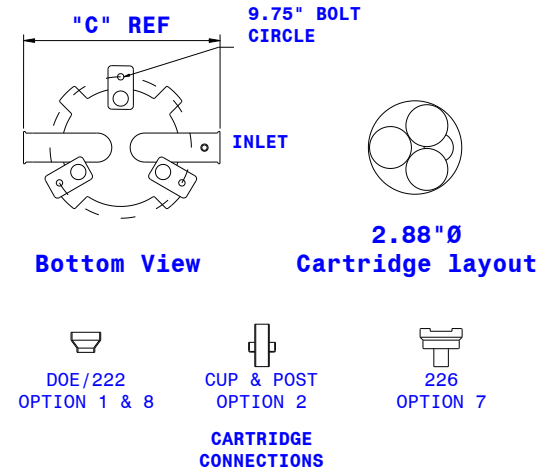
Industrial High Purity Cartridge Filter Housing



T- Style, 3 Round (Bottom Open)



Element Length	A	B	C
10"	18.25"	28.50"	13.50"
20"	28.25"	38.50"	13.50"
30"	38.25"	48.50"	13.50"
40"	48.25"	58.50"	13.50"



Custom Housing Part Number

Note: Dimensions are for reference only. Design drawings available upon request.

IHP Industrial High Purity	- 3TB 3 Round T-style B Bottom Open	- ___ Element Length	- ___ Cartridge Connection	- 2 ___ Inlet/Outlet Connection	- 1/2 ___ Vent/Drain Connection	- ___ Gasket Material	- ___ Interior/Exterior Finish
		1 10"	1 DOE	TC Tri Clamp	TC Tri Clamp	E EPDM	BBP Bead Blast
		2 20"	2 Cup & Post	F Flanged	NPT Female Threaded	V Viton	& Passivate
		3 30"	7 226			S Silicone	EP Electropolish
		4 40"	8 222				