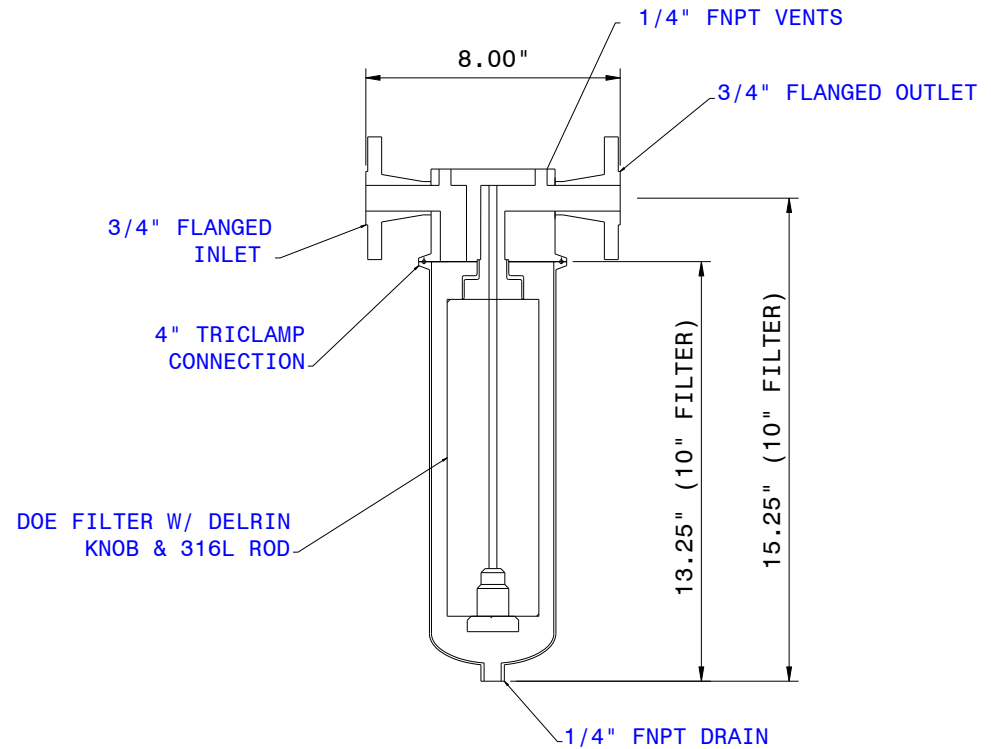
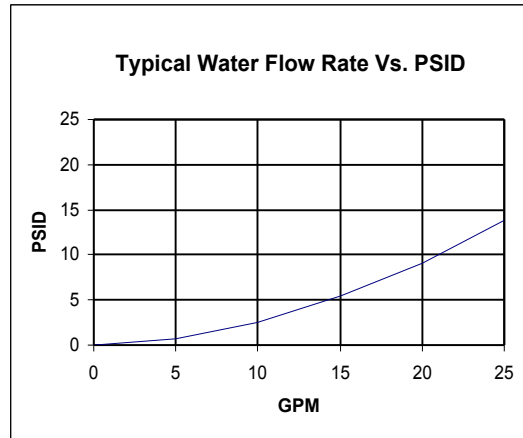


Industrial High Purity Cartridge Filter Housing



Machined, 1 Round w/ Flanged Inlet/Outlet



Note: Dimensions are for reference only. Design drawings available upon request

Custom Housing Part Number

IHP Industrial High Purity	- 1M 1 Round Machined	- Element Length	- Cartridge Connection	- 3/4 F Inlet/Outlet Connection	- 1/4 N Vent/Drain Connection	- Gasket Material	- Interior/Exterior Finish
		1 10"	1 DOE	F Flange	N Female NPT	E EPDM	BBP Bead Blast & Passivate
		2 20"	7 226			V Viton	
		3 30"	8 222			S Silicone	EP Electropolish
		4 40"					