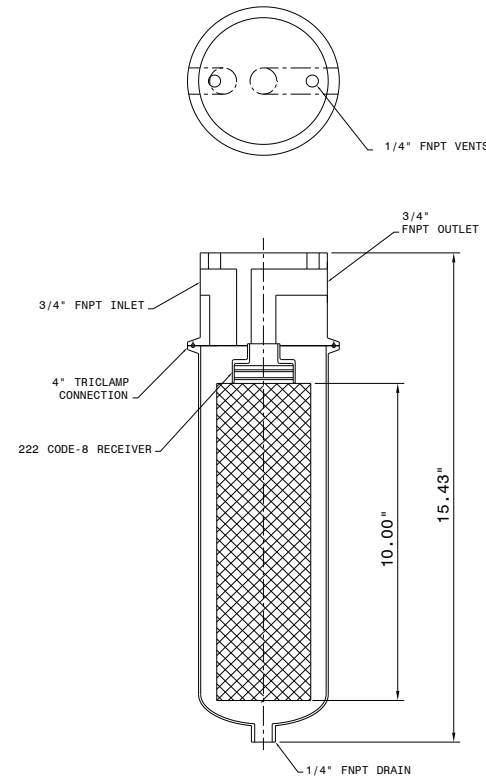
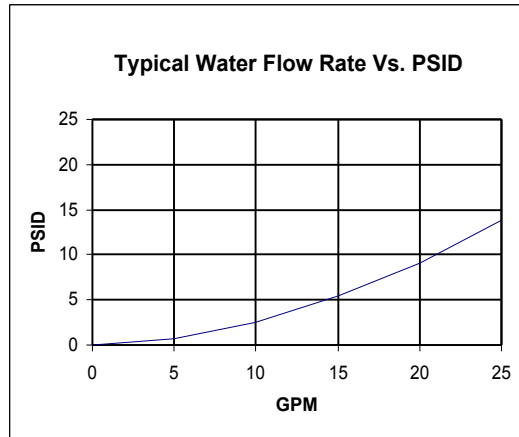


Industrial High Purity Cartridge Filter Housing



Machined, 1 Round



Custom Housing Part Number

Note: Dimensions are for reference only. Design drawings available upon request

IHP Industrial High Purity	- 1M 1 Round Machined	- ___ Element Length	- ___ Cartridge Connection	- 3/4 ___ Inlet/Outlet Connection	- 1/4 ___ Vent/Drain Connection	- ___ Gasket Material	- ___ Interior/Exterior Finish
		1 10"	1 DOE	TC Tri Clamp	TC Tri Clamp	E EPDM	BBP Bead Blast
		2 20"	7 226	NPT Female Threaded	NPT Female Threaded	V Viton	& Passivate
		3 30"	8 222			S Silicone	EP Electropolish
		4 40"					