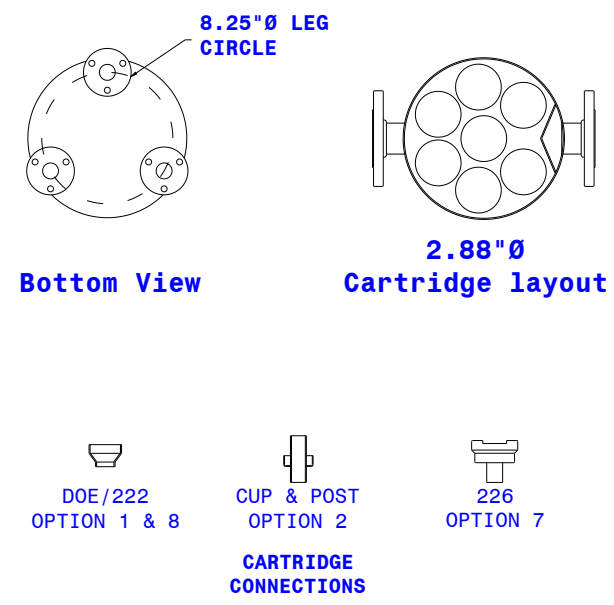
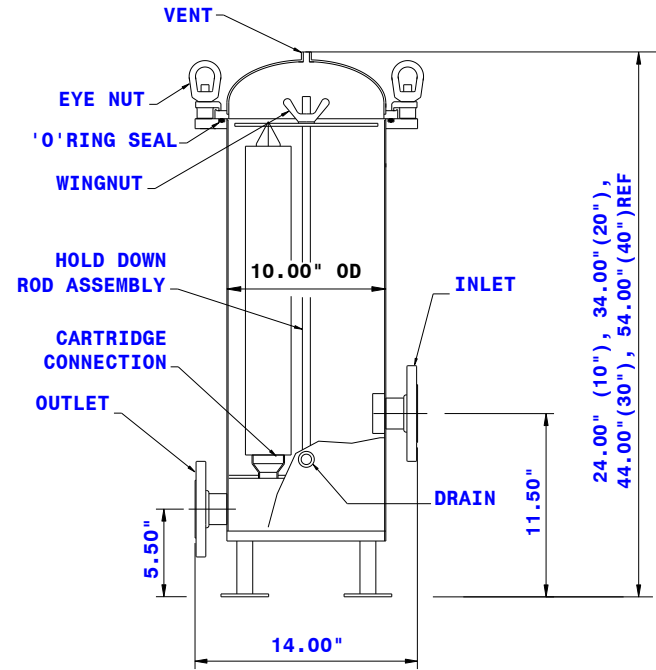
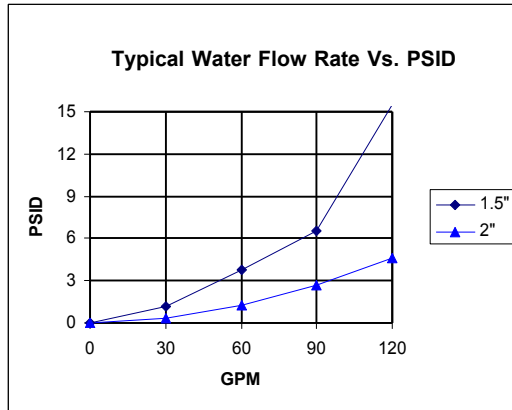


Industrial Economy Cartridge Filter Housing

7 Round



Housing Part Number

Note: Dimensions are for reference only. Design drawings available upon request.

| Industrial Economy | 7 Round | Element Length | Cartridge Connection | Inlet/Outlet Size | Inlet/Outlet Connection | Vent/Drain Connection | Gasket Material | Interior/Exterior Finish |
|--------------------|---------|----------------|----------------------|-------------------|-------------------------|-----------------------|-----------------|----------------------------|
| IE | - 7 | - | - | - | - | - | - | - |
| 1 | 10" | 1 | DOE | 1.5" | TC TriClamp | TC 1/2" TriClamp | E EPDM | BBP Bead Blast & Passivate |
| 2 | 20" | 2 | Cup & Post | 2" | F Flanged | N 1/2" FNPT | | |
| 3 | 30" | 7 | 226 | | N FNPT | V 1/4" Valve | | EP Electropolish |
| 4 | 40" | 8 | 222 | | | | | |